

# PNEUMATIC SWING CLAMP CYLINDERS SERIES MCKC



Pneumatic swing clamp cylinders are used for various types of clamping. Thanks to the design, it is easy to fit the clamping material because the clamping arm rotates over the material during clamping and then clamps. For the MCKC series, the angle of rotation is fixed - 90°. The clamps have a magnetic piston for non-contact position sensing.

For more information like technical data and dimensions, please visit our web page on [www.sappv.cz](http://www.sappv.cz).

Working pressure	0,6 MPa
Min. pressure	0,1 MPa
Max. pressure	1,0 MPa
Temp. range	-5°C to +60°C
Working medium	modified compressed air

Piston diameter [mm]	12	16	20	25	32	40	50
Thrust at 0.6 MPa [N]	67	120	188	294	482	754	1178
Return (clamp) force at 0.6 MPa [N]	51	90	120	226	361	633	989
Clamp stroke [mm]	10, 20		10, 20, 30			10, 20, 30, 50	
Rotary stroke [mm]	7,5		9,5		15		19
Non-rotating accuracy [°]	±2	±1,3	±1,2		±1		
Available speed range [mm.s <sup>-1</sup> ]	50 - 200						
Port size	M5				G1/8"		G1/4"
Weight 0 mm stroke -with arm [kg]	0,066	0,100	0,266	0,319	0,573	0,652	1,170
Weight 0 mm stroke - without arm [kg]	0,052	0,066	0,176	0,229	0,382	0,461	0,820
Weight add. per 1 mm stroke [kg]	0,016	0,023	0,038	0,046	0,069	0,074	0,109

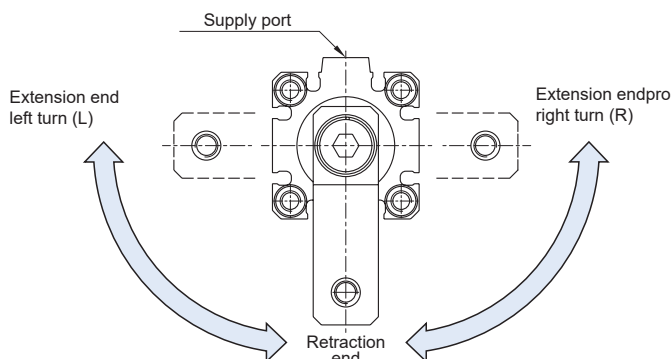
## Order codes

P MCKC 32 10 L N G

Piston diameter		Stroke		Rotation		Arm		Air supply thread	
12	12 mm	10	10 mm	L	left		yes		M5 for piston dia. 12 to 25 mm
16	16 mm	20	20 mm	R	right				
20	20 mm	30*	30 mm						
25	25 mm	50**	50 mm						
32	32 mm						N		G1/8" for piston dia. 32 and 40 mm
40	40 mm								G1/4" for piston dia. 50 mm
50	50 mm								

\*) Only for piston dia. 20 mm and larger  
\*\*) Only for piston dia. 50 mm

## Rotation



**i** In case of proximity sensing request, please contact our technical dept. for details